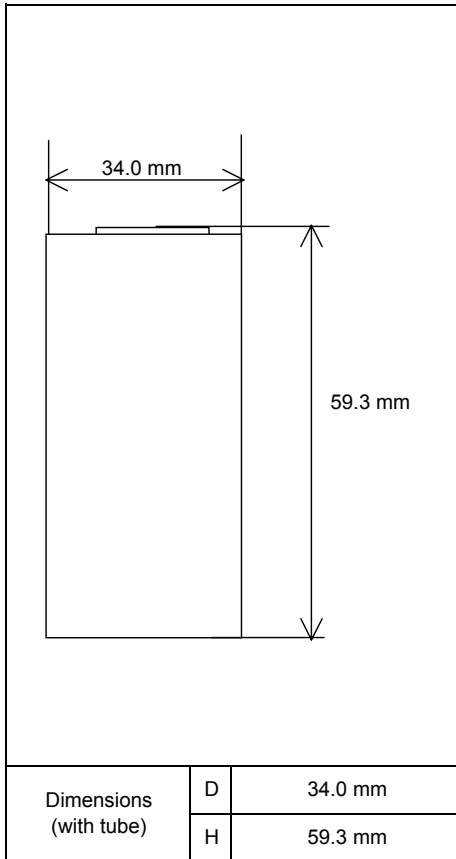


## Specifications



Type : Nickel-Metal Hydride Battery		Size : D
Capacity <sup>1)</sup>	Typical	7300mAh
	Minimum	6500mAh
Nominal Voltage		1.2V
Charging Current x Time	Fast Charge <sup>2)</sup>	5000 mA x about 1.7h
Ambient Temp.	Charge Condition	Fast Charge <sup>2)</sup> 0°C - 40°C
	Discharge Condition 0°C - 50°C	
	Storage Condition	Less than 30days
Less than 90days		-20°C - 40°C
Less than 1year		-20°C - 30°C
Internal Impedance <sup>3)</sup> (after discharge to E.V.=1.0V)		About 5mΩ(at 1000Hz)
Weight <sup>4)</sup>		About 175 g
Size <sup>4)</sup> : (Diameter) x (Height)		34.0(D) x 59.3(H) mm

1)Single cell capacity under the following condition.

Charge : 730mA×16h, Discharge : 1460mA(E.V.=1.0V) at 20°C

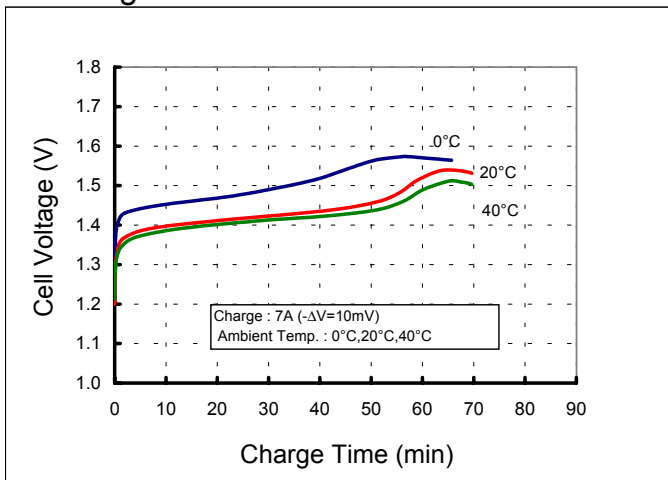
2)Use recommended charging system.

3)After a few charge and discharge cycles under the above 1) condition.

4)With tube.

## Typical Characteristics

### Charge



### Discharge

